

HUBS FOR STRAIGHT SPOKE AND FLANGE HUBS

RX 2965 /28

Rear MTB hub axle with solid matrix for straight stainless steel spokes.

NEW

Material Alloy
Weight 266 g
O.L.D. 142 mm
Spokes stainless straight
No. of holes 28
Bearings industrial
Mounting \varnothing 12x142 mm mm
Colour Black colour
Cassette body RMX Shimano 11 or XD SRAM 11



REAR

REMERX HUBS

RX 2970 /32

Rear MTB hub axle with solid matrix for standard stainless steel spokes.

NEW

Material Alloy
Weight 278 g
O.L.D. 142 mm
Spokes stainless bent
No. of holes 32
Bearings industrial
Mounting \varnothing 12x142 mm
Colour Black colour
Cassette body RMX Shimano 11 or XD SRAM 11



REAR

REMERX HUBS

RX 2845 /28

Front hub BOOST 15x110 mm for straight stainless steel spokes.

Material Alloy
Weight 168 g
O.L.D. 110 mm
Spokes stainless straight
No. of holes 28
Bearings industrial
Mounting \varnothing 15 x 110 mm
Colour Black colour



FRONT

REMERX HUBS

RX 2960 /28

Rear hub BOOST 12x148 mm for straight stainless steel spokes.

Material Alloy
Weight 276 g
O.L.D. 148 mm
Spokes stainless straight
No. of holes 28
Bearings industrial
Mounting \varnothing 12x148 mm
Colour Black colour
Cassette body RMX Shimano 11 or XD SRAM 11



REAR

REMERX HUBS

RX 2838 /32

Front hub BOOST 15x110 mm for standard stainless steel spokes.

Material Alloy
Weight 180 g
O.L.D. 110 mm
Spokes stainless bent
No. of holes 32
Bearings industrial
Mounting \varnothing 15 x 110 mm
Colour Black colour



FRONT

REMERX HUBS

RX 2950 /32

Rear hub BOOST 12x148 mm for standard stainless steel spokes.

Material Alloy
Weight 294 g
O.L.D. 148 mm
Spokes stainless bent
No. of holes 32
Bearings industrial
Mounting \varnothing 12x148 mm
Colour Black colour
Cassette body RMX Shimano 11 or XD SRAM 11



REAR

REMERX HUBS

HUBS FOR STRAIGHT SPOKE AND FLANGE HUBS

RX 2685 /24

Front MTB hub for straight stainless steel spokes.

Material Alloy
Weight 166 g
O.L.D. 100 mm
Spokes stainless straight
No. of holes 24
Bearings industrial
Mounting quick release change
Colour Black colour



FRONT

REMERX HUBS

RX 2690 /24

The front MTB hub with thru axle \varnothing 15mm for straight spokes. You can buy extra two adapters for quick release change.

Material Alloy
Weight 162 g
O.L.D. 100 mm
Spokes stainless straight
No. of holes 24
Bearings industrial
Mounting \varnothing 15 x 100 mm
Colour Black colour



Adapters for quick release change



FRONT

REMERX HUBS

RX 2643 /28

The front MTB hub with thru axle \varnothing 15mm for straight spokes. You can buy extra two adapters for quick release change.

Material Alloy
Weight 164 g
O.L.D. 100 mm
Spokes stainless straight
No. of holes 28
Bearings industrial
Mounting \varnothing 15 x 100 mm
Colour Black colour



Adapters for quick release change



FRONT

REMERX HUBS

RX 2560 /28

The rear MTB hub with thru axle \varnothing 12 x 142 mm for straight spokes. You can buy extra two adapters for quick release change.

Material Alloy
Weight 266 g
O.L.D. 142 mm
Spokes stainless straight
No. of holes 28
Bearings industrial
Mounting \varnothing 12x142 mm
Colour Black colour
Cassette body RMX Shimano 9/10, RMX Shimano 11, SRAM 11 or XD SRAM 11



Adapters for quick release change



REAR

REMERX HUBS

RX 2502 /28

The front MTB light-weight hub for bent spokes.

Material Alloy
Weight 186 g
O.L.D. 100 mm
Spokes stainless bent
No. of holes 28
Bearings industrial
Mounting quick release change
Colour Black colour



FRONT

REMERX HUBS

RX 2274 /28

The rear MTB light-weight hub for bent spokes.

Material Alloy
Weight 316 g
O.L.D. 135 mm
Spokes stainless bent
No. of holes 28
Bearings industrial
Mounting quick release change
Colour Black colour
Cassette body RMX Shimano 9/10, RMX Shimano 11 or SRAM 11



REAR

REMERX HUBS

FLANGE HUBS

RX 2489 /32

The front MTB light-weight hub with thru axle Ø 15mm for bent spokes. You can buy extra two adapters for quick release change.

Material Alloy
Weight 174 g
O.L.D. 100 mm
Spokes stainless bent
No. of holes 32
Bearings industrial
Mounting Ø 15 x 100 mm
Colour Black colour



FRONT

REMERX HUBS

RX 2274 /12-32

The rear MTB light-weight hub with thru axle Ø 12x142 mm for bent spokes. You can buy extra two adapters for quick release change or for thru axle Ø 12x135 mm.

Material Alloy
Weight 278 g
O.L.D. 142 mm
Spokes stainless bent
No. of holes 32
Bearings industrial
Mounting Ø 12x142 mm
Colour Black colour
Cassette body RMX Shimano 11, SRAM 11 or XD SRAM 11



REAR

REMERX HUBS

RX 2603 /32

The front MTB hub with thru axle Ø 20 mm for bent spokes.

Material Alloy
Weight 222 g
O.L.D. 110 mm
Spokes stainless bent
No. of holes 32
Bearings industrial
Mounting Ø 20 x 110 mm
Colour Black colour



FRONT

REMERX HUBS

RX 2482 /32

The rear MTB hub with thru axle Ø 12x150mm for bent spokes.

Material Alloy
Weight 296 g
O.L.D. 150 mm
Spokes stainless bent
No. of holes 32
Bearings industrial
Mounting Ø 12x150 mm
Colour Black colour
Cassette body RMX Shimano 11



REAR

REMERX HUBS

RX 2503 /32

The front MTB light-weight hub for bent spokes.

Material Alloy
Weight 184 g
O.L.D. 100 mm
Spokes stainless bent
No. of holes 32
Bearings industrial
Mounting quick release change
Colour Black colour



FRONT

REMERX HUBS

RX 2274 /32

The rear MTB light-weight hub for bent spokes.

Material Alloy
Weight 314 g
O.L.D. 135 mm
Spokes stainless bent
No. of holes 32
Bearings industrial
Mounting quick release change
Colour Black colour
Cassette body RMX Shimano 9/10, RMX Shimano 11 or SRAM 11



REAR

REMERX HUBS

FLANGE HUBS AND CENTERLOCK HUBS

RX 2599 /32

The front MTB hub for bent spokes.

Material Alloy
Weight 200 g
O.L.D. 100 mm
Spokes stainless bent
No. of holes 32
Bearings industrial
Mounting quick release change
Colour Black colour



FRONT

REMERX HUBS

RX 2597 /32

The rear MTB hub for bent spokes.

Material Alloy
Weight 340 g
O.L.D. 135 mm
Spokes stainless bent
No. of holes 32
Bearings industrial
Mounting quick release change
Colour Black colour
Cassette body RMX Shimano 9/10 without stainless wedges, RMX Shimano 11 with stainless wedges or SRAM 11



REAR

REMERX HUBS

RX 2705 /32

The front MTB hub with thru axle Ø 15 mm for bent spokes. You can buy extra two adapters for quick release change.

Material Alloy
Weight 190 g
O.L.D. 100 mm
Spokes stainless bent
No. of holes 32
Bearings industrial
Mounting Ø 15 x 100 mm
Colour Black colour



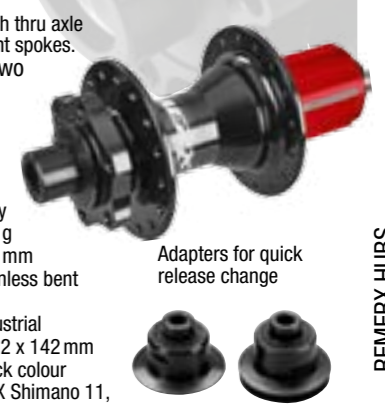
FRONT

REMERX HUBS

RX 2597 /12-32

The rear MTB hub with thru axle Ø 12x142 mm for bent spokes. You can buy extra two adapters for quick release change.

Material Alloy
Weight 304 g
O.L.D. 142 mm
Spokes stainless bent
No. of holes 32
Bearings industrial
Mounting Ø 12 x 142 mm
Colour Black colour
Cassette body RMX Shimano 11, SRAM 11 or XD SRAM 11



REAR

REMERX HUBS

RX 2472 /32

The front centerlock MTB hub for bent spokes.

Material Alloy
Weight 158 g
O.L.D. 100 mm
Spokes stainless bent
No. of holes 32
Bearings industrial
Mounting quick release change
Colour Black colour



FRONT

REMERX HUBS

RX 2524 /32

The rear centerlock MTB hub for bent spokes.

Material Alloy
Weight 290 g
O.L.D. 135 mm
Spokes stainless bent
No. of holes 32
Bearings industrial
Mounting quick release change
Colour Black colour
Cassette body RMX Shimano 9/10 without stainless wedges



REAR

REMERX HUBS

RX 2730 /20

The front road hub for straight spokes.

Material Alloy
Weight 123 g
O.L.D. 100 mm
Spokes stainless straight
No. of holes 20
Bearings industrial
Uchytení quick release change
Colour Black colour



FRONT

REMERX HUBS

RX 2720 /24

The rear road hub for straight spokes.

Material Alloy
Weight 296 g
O.L.D. 130 mm
Spokes stainless straight
No. of holes 24
Bearings industrial
Mounting quick release change
Colour Black colour
Cassette body RMX Shimano 9/10 or RMX Shimano 11



REAR

REMERX HUBS

RX 2980 /24

Front road hub with C-lock for thru axle 12x100 mm for straight stainless spokes.

Material Alloy
Weight 138 g
O.L.D. 100 mm
Spokes stainless straight
No. of holes 24
Bearings industrial
Mounting Ø 12x100 mm
Colour Black colour



FRONT

REMERX HUBS

RX 2985 /24

Rear road hub with C-lock for thru axle 12x135 mm for straight stainless spokes

Material Alloy
Weight 258 g
O.L.D. 135 mm
Spokes stainless straight
No. of holes 24
Bearings industrial
Mounting Ø 12x135 mm
Colour Black colour
Cassette body RMX Shimano 9/10, RMX Shimano 11 or XD SRAM 11



REAR

REMERX HUBS

RX 2198 /24

The rear road hub for bent spokes.

Material Alloy
Weight 278 g
O.L.D. 130 mm
Spokes stainless bent
No. of holes 24
Bearings industrial
Mounting quick release change
Colour Black colour
Cassette body RMX Shimano 9/10 or RMX Shimano 11



REAR

REMERX HUBS

RX 2680 /24

Rear combined hub for stainless with straight and head bending spokes.

Material Alloy
Weight 272 g
O.L.D. 130 mm
Spokes Left side – standard spokes with head bending, right side – straight spokes
No. of holes 24
Bearings industrial
Mounting quick release change
Colour Black colour
Cassette body RMX Shimano 9/10 or RMX Shimano 11



REAR

REMERX HUBS

RX 2880 /24

The front V-brake hub for bent spokes.

Material Alloy
Weight from 146 g
O.L.D. 100 mm
Spokes stainless bent
No. of holes (RX 2880 /24, RX 2535 /28)
Bearings industrial
Mounting quick release change
Colour Black colour



FRONT

REMERX HUBS

RX 2198 /24

RX 2252 /28

The rear V-brake hub for bent spokes.

Material Alloy
Weight from 268 g
O.L.D. 135 mm
Spokes stainless bent
No. of holes RX 2198/24, RX 2252/28
Bearings industrial
Mounting quick release change
Colour Black colour
Cassette body RMX Shimano 9/10 without stainless wedges (RX 2198/24, RX 2252/28) or RMX SHIMANO 11 with stainless wedges (RX 2252/28)



REAR

REMERX HUBS

RX 2252 /28

The rear road hub for bent spokes.

Material Alloy
Weight 283 g
O.L.D. 130 mm
Spokes stainless bent
No. of holes 28
Bearings industrial
Uchytení quick release change
Colour Black colour
Cassette body RMX Shimano 9/10 or RMX Shimano 11



REAR

REMERX HUBS

RX 2523 /32

The rear road hub for bent spokes.

Material Alloy
Weight 288 g
O.L.D. 130 mm
Spokes stainless bent
No. of holes 32
Bearings industrial
Mounting quick release change
Colour Black colour
Cassette body RMX Shimano 9/10 or RMX Shimano 11



REAR

REMERX HUBS

RX 2536 /32

The front V-brake hub for bent spokes.

Material Alloy
Weight 154 g
O.L.D. 100 mm
Spokes stainless bent
No. of holes 32
Bearings industrial
Mounting quick release change
Colour Black colour



FRONT

REMERX HUBS

RX 2523 /32

The rear V-brake hub for bent spokes.

Material Alloy
Weight 278 g
O.L.D. 135 mm
Spokes stainless bent
No. of holes 32
Bearings industrial
Mounting quick release change
Colour Black colour
Cassette body RMX Shimano 9/10 without stainless wedges



REAR

REMERX HUBS